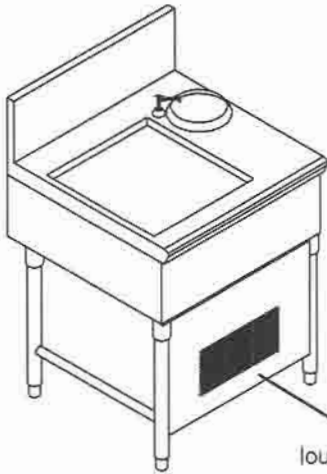




# FDC MODELS

## Frozen Dairy Center Housing



Optional LVP  
louvered access panel

PROJECT \_\_\_\_\_  
ITEM NO. \_\_\_\_\_  
QTY. \_\_\_\_\_

	MODEL	DEPTH	LENGTH	HEIGHT	FREEZER CUT OUT
<input type="checkbox"/>	FDC-24	20 1/2"	24"	30"	3 gal.
<input type="checkbox"/>	FDC-38	24"	38"	30"	6 gal.

*Includes disherwell, faucet and cut-out  
for drop-in freezer of choice*

### STANDARD FEATURES

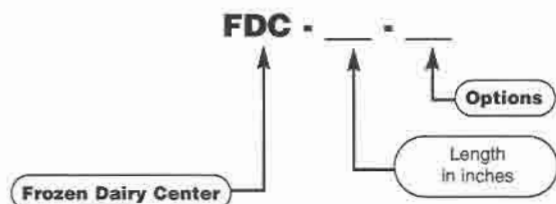
- **ALL WELDED CONSTRUCTION** - fully welded, ground and polished to form one integral unit; no screws, pop-rivets or solder.
- **TOP** - 18 gauge #304 series 18-8 stainless steel.
- **FRONT APRON** - 18 gauge #304 series 18-8 stainless steel
- **BACK** - 18 gauge #304 series 18-8 stainless steel.
- **BOTTOM** - 18 gauge #304 series 18-8 stainless steel.
- **ENDS** - 18 gauge #304 series 18-8 stainless steel.

### OPTIONS

- ABS** ----- apron mounted full-length blender shelf (includes factory installed electrical receptacle)
- LVP** ----- louvered access panel to 6" above floor
- CB** ----- full cabinet base with removable hinged doors
- BN** ----- decorative polished bullnose
- M** ----- customized

### Model Number Guide

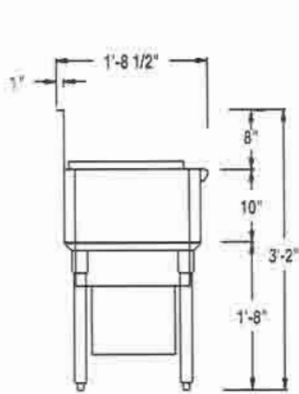
Use this guide to create the model specific to your needs.



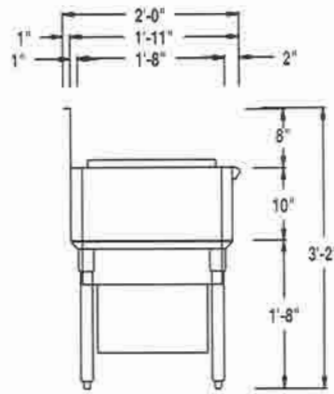


# FDC MODELS

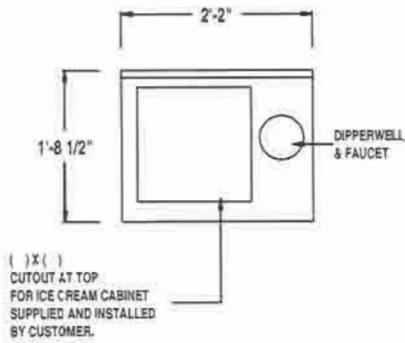
## Frozen Dairy Center Housing



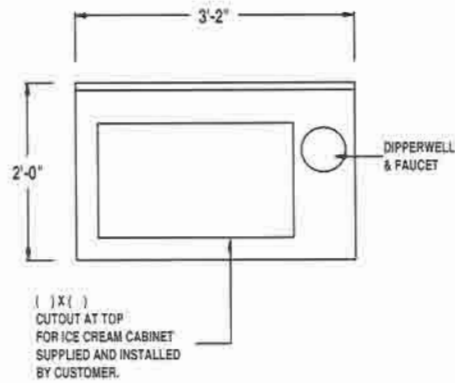
FDC-24 SECTION



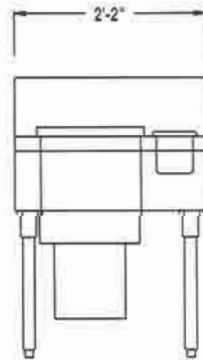
FDC-38 SECTION



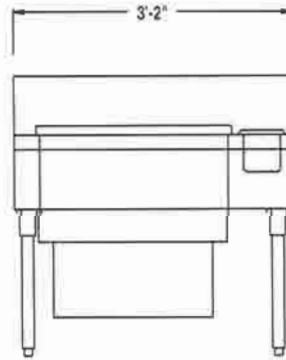
FDC-24 PLAN



FDC-38 PLAN



FDC-24 ELEVATION



FDC-38 ELEVATION

MODEL NUMBER	O.A. LENGTH	O.A. DEPTH	O.A. HEIGHT	CUT OUT FOR	SHIP WEIGHT	CUBE
FDC-24	24"	20 1/2"	30"	3 GAL FRZ.	65	15
FDC-38	38"	24"	30"	6 GAL FRZ.	65	15