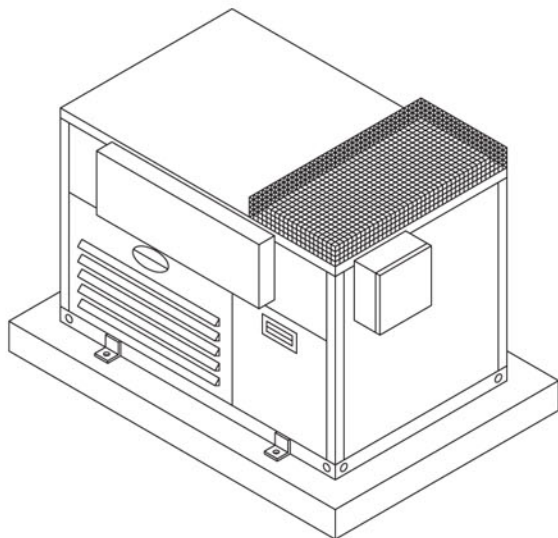




C MODEL

Air Cooled Rack



PROJECT _____

LOCATION _____

ITEM NO. _____

MODEL NO. _____

OPTIONS

- 460v Operation (Air & Water)
- Suction Line Filters, Inline or Removable Core Available (Air & Water)
- Super-Hoses (Air & Water)
- Cold Weather Protection (Air)
- Emergency Water By-Pass (Water)
- Ice Machine Condenser Circuits (Air)
- Copper Condenser for Extended Life (Air)
- Stainless Steel Housing (Air & Water)
- 50 Cycle Operation for Export Projects (Air & Water)
- Prison Package (Air & Water)
- Heat Reclaim (Air & Water)
- Four Year Extended Compressor Warranty
- One Year Labor Warranty

STANDARD FEATURES

- ETL Listed package with main fused disconnect.
- Weather-proof enclosure with powder coated finish.
- Insulated suction lines back to all compressors.
- Plastic isolation bushings for copper-to-metal contact preventing leakage.
- Vertical air discharge for either ground or rooftop application.
- Off-cycle time clocks on walk-in coolers for positive air defrost.
- One-year parts warranty.
- Properly sized receivers, sight glasses, liquid line filters, driers, dual pressure controls, headmaster valves, defrost time clocks, contactors, breakers are all pre-piped and pre-wired, shipped under 100 psi dry nitrogen pressure and electrically tested and started.
- Vibration eliminators on suction and discharge lines (semi-hermetic only).
- Constant air flow across compressor bodies for added efficiency and compressor life.



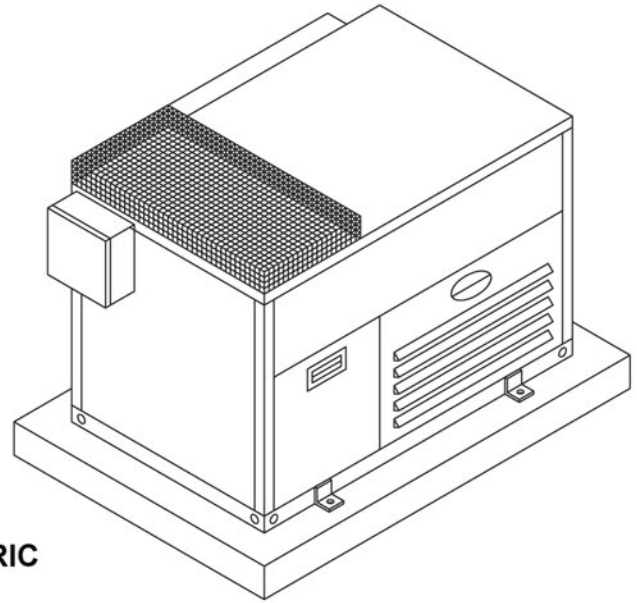
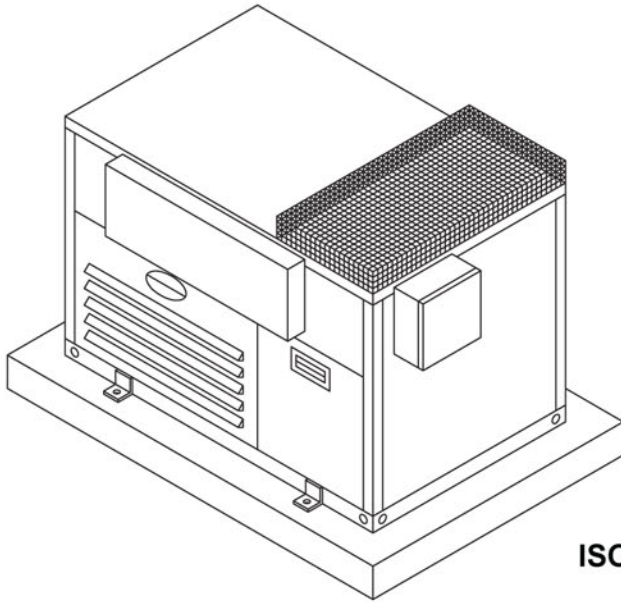
ETL LISTED
CONFORMS TO
UL STD 1995



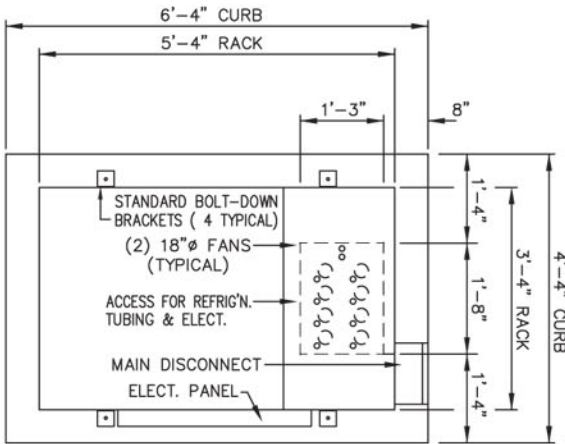


C MODEL

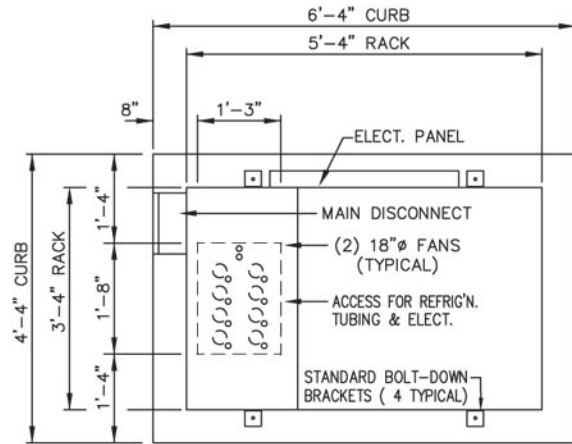
Air Cooled Rack



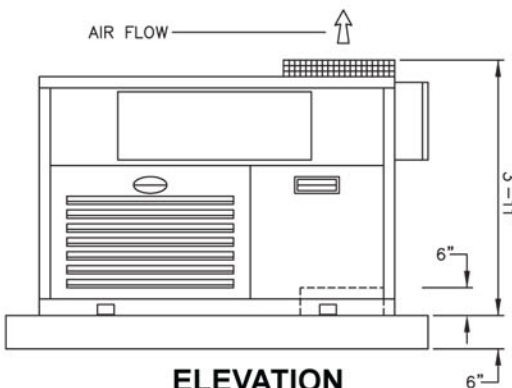
ISOMETRIC



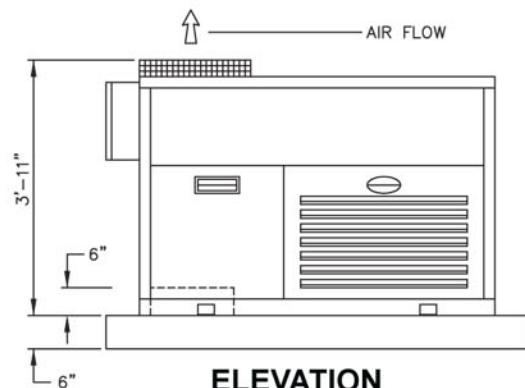
**PLAN VIEW
(FRONT VIEW)**



**PLAN VIEW
(REAR VIEW)**



**ELEVATION
(FRONT VIEW)**



**ELEVATION
(REAR VIEW)**

