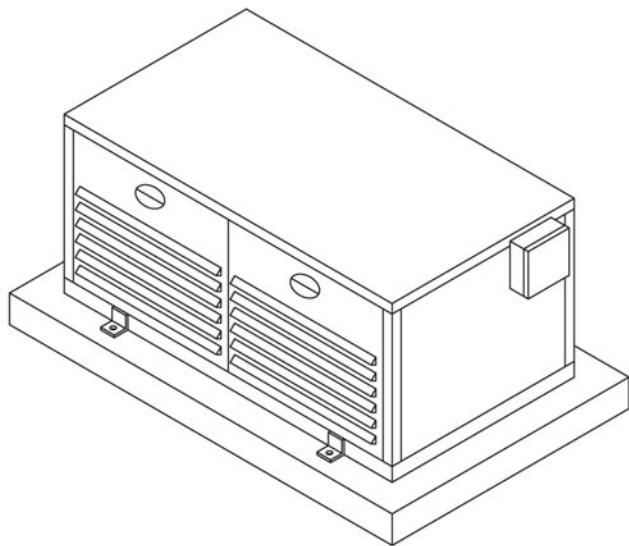




BL MODEL

Air Cooled Rack



PROJECT _____

LOCATION _____

ITEM NO. _____

MODEL NO. _____

OPTIONS

- 460v Operation (Air & Water)
- Suction Line Filters, Inline or Removable Core Available (Air & Water)
- Super-Hoses (Air & Water)
- Cold Weather Protection (Air)
- Emergency Water By-Pass (Water)
- Ice Machine Condenser Circuits (Air)
- Copper Condenser for Extended Life (Air)
- Stainless Steel Housing (Air & Water)
- 50 Cycle Operation for Export Projects (Air & Water)
- Prison Package (Air & Water)
- Heat Reclaim (Air & Water)
- Four Year Extended Compressor Warranty
- One Year Labor Warranty

STANDARD FEATURES

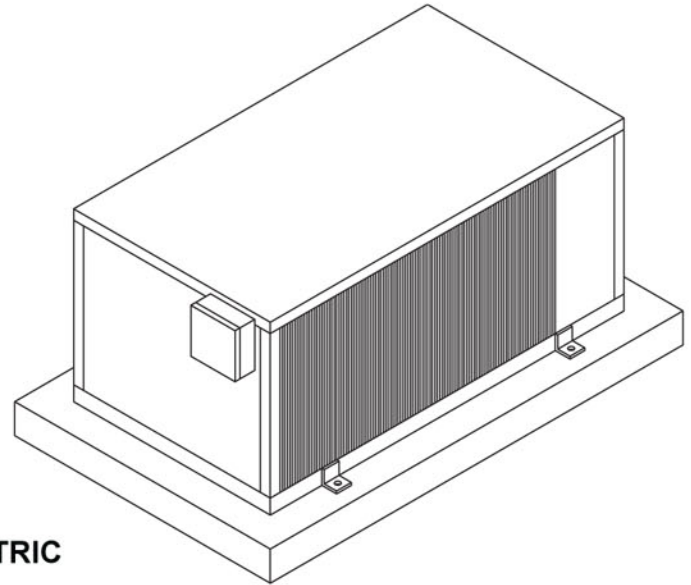
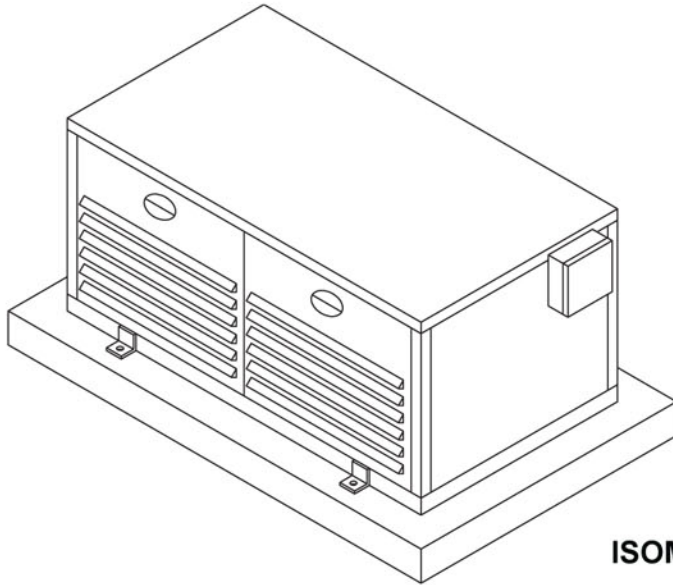
- UL Listed Indoor or Outdoor Refrigeration Unit (Air & Water)
- Ambient Engineered Aluminum Fin, Rifled Tubing Multi-Circuited Condenser (Air)
- Horizontal or Vertical Condenser Air Discharge (Air)
- Main Fuse Disconnect (Air & Water) Indoor or Outdoor
- Fully Insulated Suction Line (Air & Water)
- Internal Pitch Pocket Accommodation for Refrigeration Lines and Electrical Connections (Air)
- Refrigeration and Water line connections stubbed-out to roof of unit (Water)
- Individual Water Shut-off Valves located on main water manifold (Water)
- Strainer located in Main Water Line (Water)
- Properly Sized Receivers for 100% Pump-down (Air & Water)
- Sight-glasses, Liquid Line Filters/Driers, Dual Pressure Controls and Defrost Time Clocks (Air & Water)
- Suction Accumulators on all Low Temps (Air & Water)
- Vibration Eliminators on Semi-Hermetic Only (Air & Water)
- One Year Parts Only Warranty (Air & Water)
- 90 Day Labor Warranty



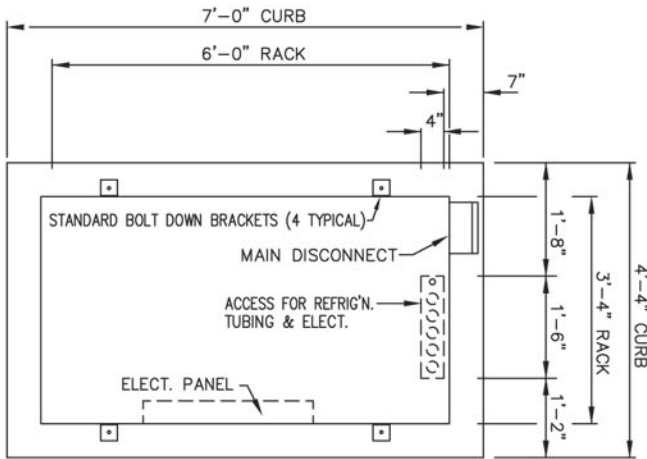


BL MODEL

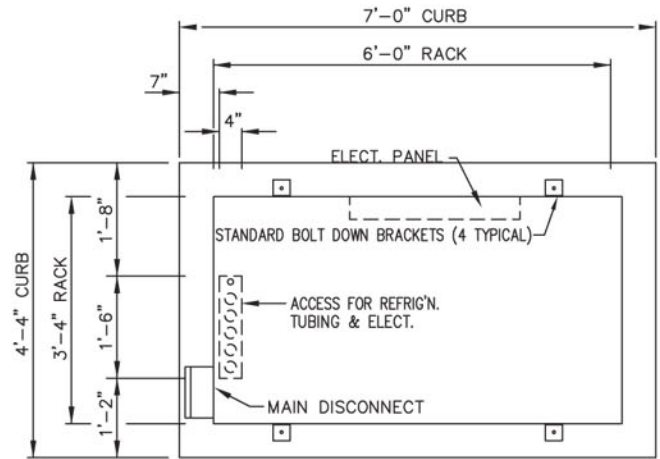
Air Cooled Rack



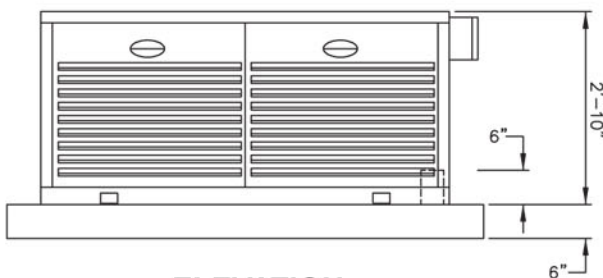
ISOMETRIC



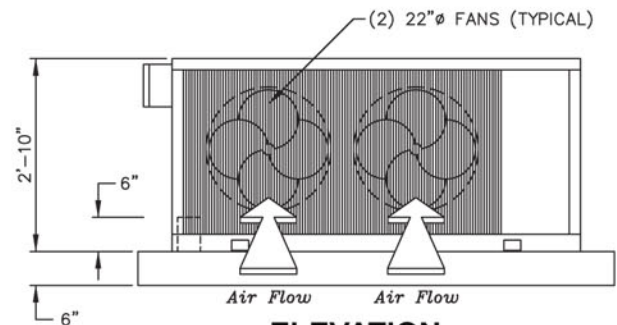
**PLAN VIEW
(FRONT VIEW)**



**PLAN VIEW
(REAR VIEW)**



**ELEVATION
(FRONT VIEW)**



**ELEVATION
(REAR VIEW)**

