



**BB MODELS**

**37" High Backbar Refrigerators & Dry Cabinets**

**OMNI EXCLUSIVE**  
**SANITATION APPROVED**  
**FOR OPEN FOOD**  
**CONTAINERS - 1/2" RADIUS**  
**INTERIOR CORNERS**

PROJECT \_\_\_\_\_  
 ITEM NO. \_\_\_\_\_  
 QTY. \_\_\_\_\_  
 MODEL NO. \_\_\_\_\_

	REMOTE			SELF-CONTAINED		DRY STORAGE	
	DOORS	MODEL	LENGTH	MODEL	LENGTH	MODEL	LENGTH
<input type="checkbox"/>	1	BBR-1	25-1/2"	BBS-1	40-1/2"	DS-1	25 1/2"
<input type="checkbox"/>	2	BBR-2	48"	BBS-2	63"	DS-2	48"
<input type="checkbox"/>	3	BBR-3	72"	BBS-3	87"	N/A	N/A
<input type="checkbox"/>	4	BBR-4	96"	BBS-4	111"	N/A	N/A

Please specify door style when ordering by adding door style code to end of model number example: BBS-4SD

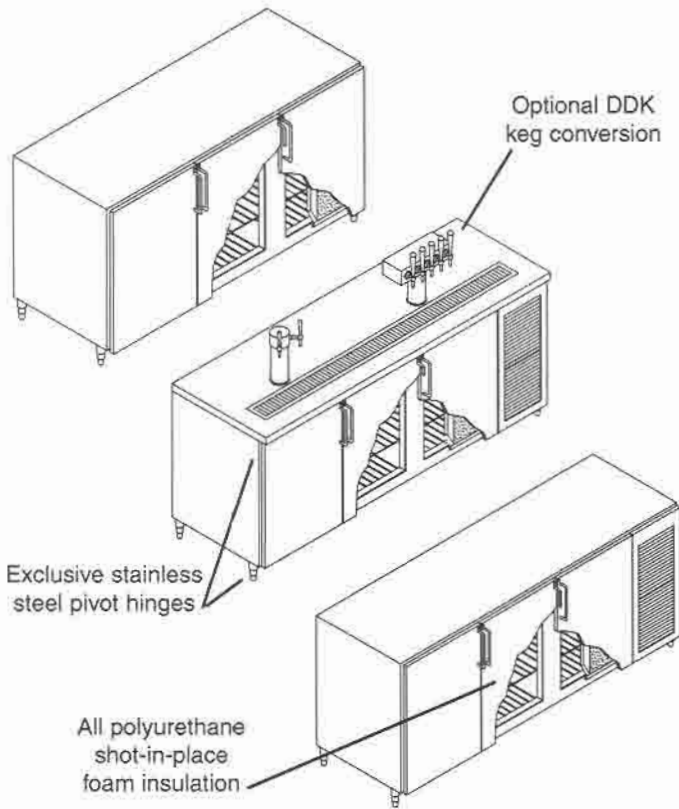
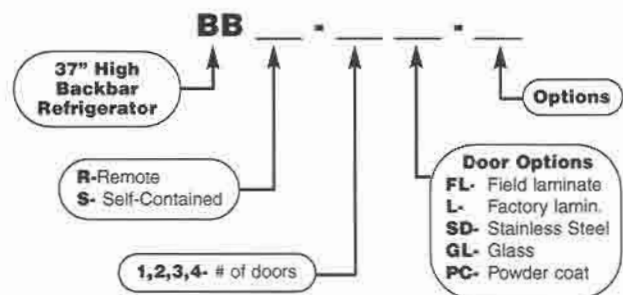
FL- prepared for field laminated  
 L- factory laminated  
 SD- stainless steel  
 GL- glass  
 PC- powder coat enamel painted

**OPTIONS**

- STP -----finished 18 gauge s/s top
- 6LG -----6" x 1-5/8" stainless steel legs with adjustable bullet feet
- CST -----casters
- TK -----stainless steel toe kick plate
- SSS -----stainless steel wire shelves
- AS -----all stainless steel construction
- BH -----brass hardware
- F -----freezer
- L -----interior lights, bulb type
- DDK -----direct draw beer keg conversion kit (includes: floor racks, door sills, drip tray in top, and tower)
- RCND -----remote condensing unit
- EVP -----condensate evaporator (remote only)
- DT -----dual temp
- M -----customized
- PP -----Pre-piped & pre-wired. Refrigeration, plumbing and electrical will be stubbed out at required location by specifying one of the following: LE-left end, RE-right end, BL-back left, BR-back right.

**Model Number Guide**

Use this guide to create the model specific to your needs.



Optional DDK keg conversion

Exclusive stainless steel pivot hinges

All polyurethane shot-in-place foam insulation

**STANDARD FEATURES**

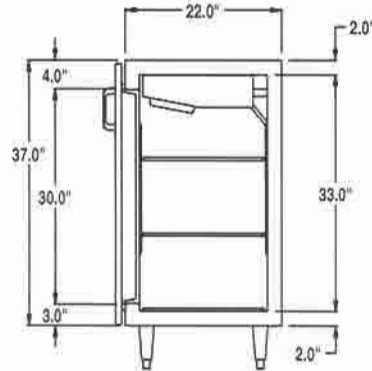
- ALL WELDED CONSTRUCTION
- TOP - 18 gauge galvanized sub-top.
- EXTERIOR FRONT & SIDES & INTERIOR - 20 gauge #304 s/s stainless steel. Back and bottom are 18 gauge galvanized.
- DOOR PANS - 20 gauge #304 18-8 s/s with magnetic gasket.
- DOOR HARDWARE - Exclusive heavy-duty 12 gauge stainless steel pivot hinges with attractive chrome door pull and locks.
- INSULATION - 2" thick polyurethane shot-in-place foam (NO CFC's)
- BREAKER STRIP - Exclusive Foam-Locked breaker strip permanently installed without mechanical fasteners.
- SHELVING - 3 adjustable, vinyl coated wire shelves per door section.
- SELF-CONTAINED REFRIGERATION - R-134A fully balanced hermetic condensing unit is provided with evaporator coil, TX valve, thermostat, gravity defrost system and condensate evaporator.
- REMOTE MODELS - include all of the above with the exception of condensing unit and condensate evaporator pan. Expansion valve shipped loose. No pre-wiring.



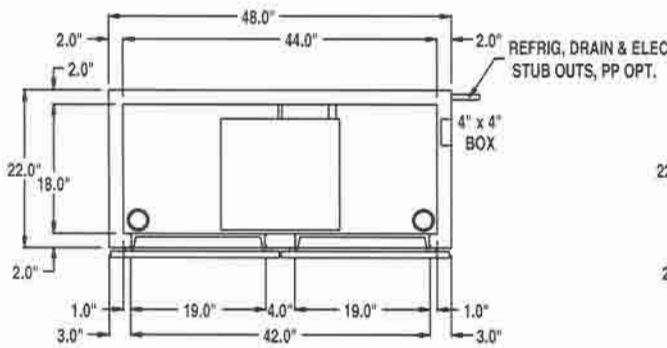


**BB MODELS**

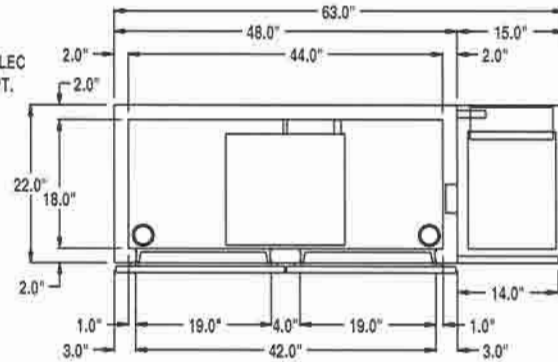
**37" High Backbar Refrigerators & Dry Cabinets**



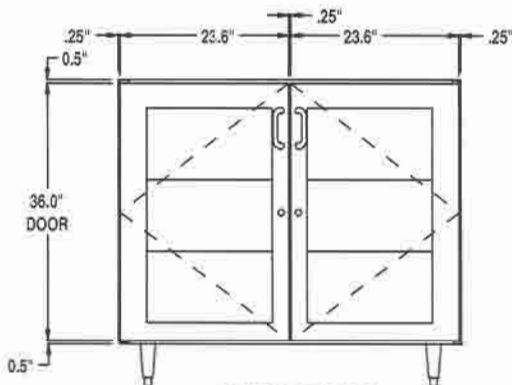
SECTION



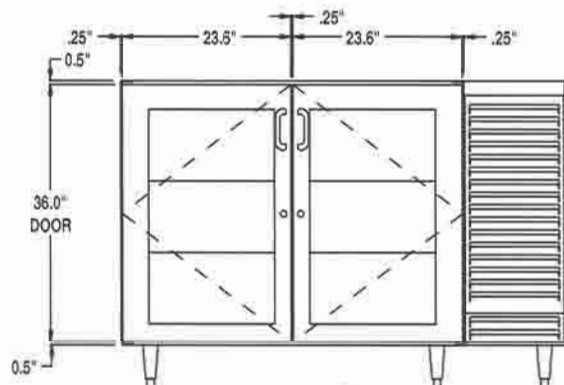
BBR-2



BBS-2



ELEVATION



ELEVATION

MODEL	DOOR		O.A. CABINET DIMENSIONS			COMPRS.	ELECTRICAL			SHIP	
	SECTIONS	LENGTH	DEPTH	HEIGHT	HP.		AMPS	VOLTAGE	PHASE	BTUs	WEIGHT
BBR-1	1	25-1/2"	24"	37"	—	1.3	115v	SINGLE	1000*	234	25
BBR-2	2	48"	24"	37"	—	1.7	115v	SINGLE	1300*	375	37
BBR-3	3	72"	24"	37"	—	2.3	115v	SINGLE	1700*	475	51
BBR-4	4	96"	24"	37"	—	3.7	115v	SINGLE	2300*	632	66
BBS-1	1	40-1/2"	24"	37"	1/4	9.1	115v	SINGLE	—	342	25
BBS-2	2	63"	24"	37"	1/4	11	115v	SINGLE	—	460	37
BBS-3	3	87"	24"	37"	1/3	13.9	115v	SINGLE	—	671	51
BBS-4	4	111"	24"	37"	1/3	13.9	115v	SINGLE	—	748	66
DS-1	1	25 1/2"	24"	37"	—	—	—	—	—	154	25
DS-2	2	48"	24"	37"	—	—	—	—	—	278	37

\*NOTE: If using glass doors, add 200 BTUs per door