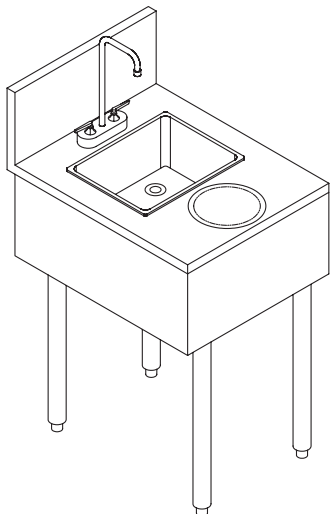


# VL SERIES



## WC2 MODELS

### Wet & Dry Waste Center



PROJECT \_\_\_\_\_  
 ITEM NO. \_\_\_\_\_  
 QTY. \_\_\_\_\_  
 MODEL NO. \_\_\_\_\_

#### WET & DRY WASTE CENTER

	LINE	MODEL	LENGTH	DEPTH	SINK SIZE
<input type="checkbox"/>	VL	WC2-18	18"	23"	9" x 11" x 6" DEEP

#### OPTIONS

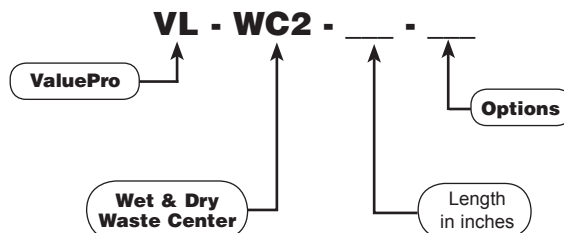
- CB**----- cabinet base with door
- M**----- customized

#### STANDARD FEATURES

- **ALL WELDED CONSTRUCTION** - fully welded, ground and polished to form one integral unit; no screws, pop-rivets or solder.
- **TOP** - 18 ga. #304 series, stainless steel.
- **BACK** 20 ga. #304 series, stainless steel.
- **BOTTOM** 20 ga. #304 series, stainless steel.
- **ENDS** 20 ga. #304 series, stainless steel.
- **BACKSPLASH** - 18 ga. #304 series, stainless steel.
- **LEG ASSEMBLIES** - 14 gauge s/s channels with 1-5/8" s/s tube legs and adjustable s/s bullet feet.
- Dump sink with strainer basket and faucet.
- 6" diameter waste chute in top and plastic waste receptacle.

#### Model Number Guide

Use this guide to create the model specific to your needs.



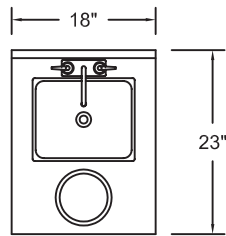
CONFORMS TO ANSI/NSF STANDARD 2

# VL SERIES



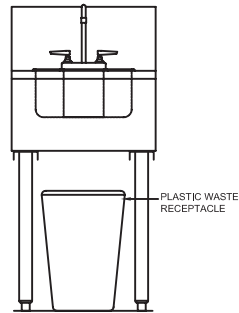
## WC2 MODELS

### Wet & Dry Waste Center

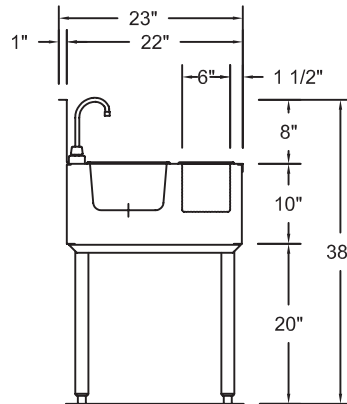


**PLAN**

**23" DEEP**



**ELEVATION**



**SECTIONS**