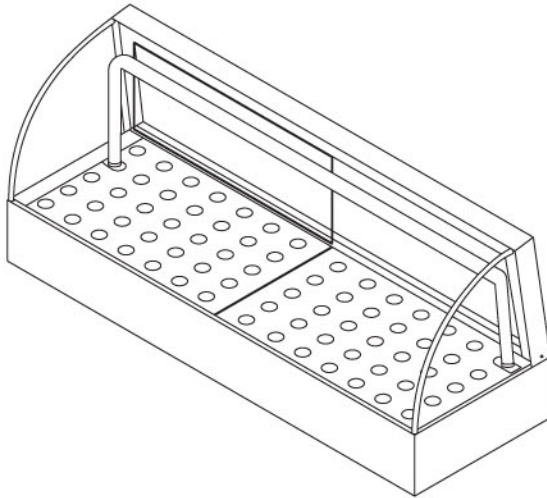




LPS MODEL

Sushi Case



PROJECT _____

LOCATION _____

ITEM NO. _____

MODEL NO. _____

OVERVIEW

Omniteam has combined sophistication & functionality into the new LPS & HPS display case series. Its rugged stainless steel interior & exterior construction is engineered to meet the highest NSF standards while elegantly framing a special clear laminated curved front safety glass and two tempered sliding glass doors creating the ultimate 360 degree high visibility showcase.

OPTIONS

- Two (2) Sushi Case Styles to choose from.
- UL listed remote refrigeration system.
- Solenoid & switch pump down system.
- Available refrigerants -R 404A or R-22.
- Stainless Steel trim on glass edge.
- Available in lengths of 36" , 48" , 60" , 72"
- Custom sizes available - consult factory.

STANDARD FEATURES

- Conformance with the requirements of the standard for food storage freezers and refrigerators - NSF 7.
- Stainless Steel construction exterior & interior.
- Special safety laminated curved front glass panel.
- Tempered sliding glass doors with finger pulls.
- 360 degree showcase - high visibility design.
- Removable perforated base for ease of cleaning & service.
- Gravity coil design to maximize food preservation.
- Manual on/off switch 115v.



CONFORMS TO
NSF 7 STANDARDS





LPS MODEL

Sushi Case

