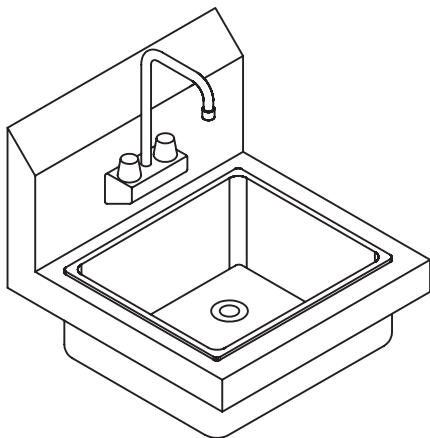


# VL SERIES



## HWA-M MODELS

### Hand Wash Sinks



PROJECT \_\_\_\_\_  
 ITEM NO. \_\_\_\_\_  
 QTY. \_\_\_\_\_  
 MODEL NO. \_\_\_\_\_

#### STANDARD

LINE	MODEL
<input type="checkbox"/> VL	HWA-M

#### OPTIONS

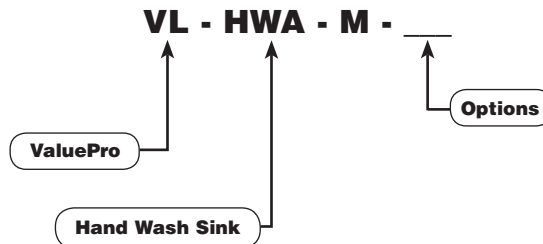
- WR ----- wrist blade handles
- TRP ----- "P" trap

#### STANDARD FEATURES

- ALL WELDED CONSTRUCTION
- One piece deep drawn bowl design
- Sink bowl size: 10" x 14" x 5" deep
- Quality hot and cold faucet
- "Z" clip with two angle brackets for mounting on wall
- Type 304 stainless steel

#### Model Number Guide

Use this guide to create the model specific to your needs.



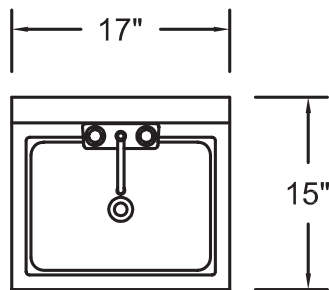
CONFORMS TO ANSI/NSF STANDARD 2

# VL SERIES



## HWA-M MODELS

Hand Wash Sinks



HWA-M

