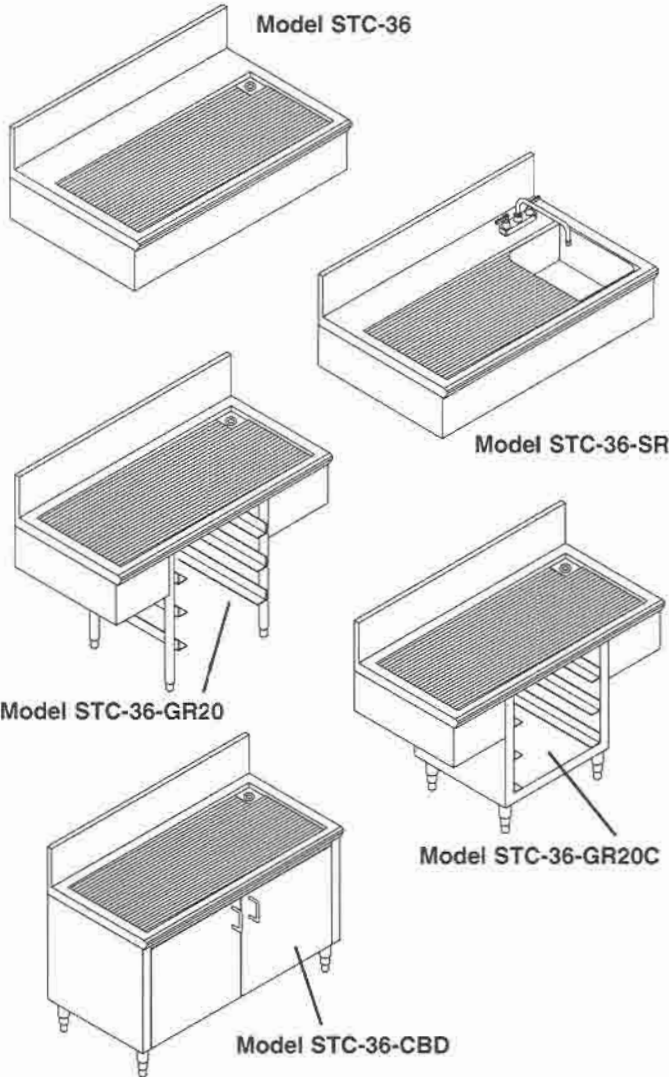




TC MODELS

Drainboard Worktops

PROJECT _____
 ITEM NO. _____
 QTY. _____
 MODEL NO. _____



"S" SERIES		"D" SERIES		LENGTH
20.5" DEPTH	24" DEPTH	20.5" DEPTH	24" DEPTH	
<input type="checkbox"/> STC-12		<input type="checkbox"/> DTC-12		12"
<input type="checkbox"/> STC-18		<input type="checkbox"/> DTC-18		18"
<input type="checkbox"/> STC-24		<input type="checkbox"/> DTC-24		24"
<input type="checkbox"/> STC-30		<input type="checkbox"/> DTC-30		30"
<input type="checkbox"/> STC-36		<input type="checkbox"/> DTC-36		36"
<input type="checkbox"/> STC-42		<input type="checkbox"/> DTC-42		42"
<input type="checkbox"/> STC-48		<input type="checkbox"/> DTC-48		48"
<input type="checkbox"/> STC-54		<input type="checkbox"/> DTC-54		54"
<input type="checkbox"/> STC-60		<input type="checkbox"/> DTC-60		60"

OPTIONS

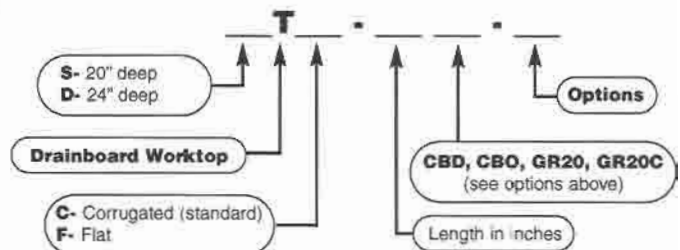
- CBD** -----cabinet base with locking, removable hinged door and intermediate shelf
- CBO** -----open cabinet base with adjustable intermediate shelf
- GR20** -----glass rack storage slides on legs accomodates (3) 20x20 racks. Includes cut-away apron. (Requires 26" drainboard min.)
- GR20C** ----glass rack storage cabinet accomodates (3) 20x20 racks. Includes cut-away apron. (Requires 26" drainboard min.)
- S(R,L,C)** --10x14x14" deep sink w/faucet (Specify location Right, Left, or Center)
- PDB** -----perforated dump box for 10x14 sink
- US** -----stainless steel undershelf
- RWC** -----rubber waste chute factory installed into front apron
- REC18** ----NSF approved 18" high trash receptacle for #RWC waste chute
- CAP** -----cut-away apron for trash container
- REC26** ----NSF approved 26" high trash receptacle for #CAP cut-away apron
- TB** -----18" wide factory installed towel bar
- BC6** -----6x6" beverage chase
- BN** -----decorative polished bullnose
- M** -----customized

STANDARD FEATURES

- **ALL WELDED CONSTRUCTION** - fully welded, ground and polished to form one integral unit; no screws, pop-rivets or solder.
- **CORRUGATION** - 18 gauge #304 series 18-8 stainless steel full-length continuous "WWW" corrugation pitches to 1" brass drain and is reinforced with 4" wide 14 gauge s/s inverted U-channels welded underneath and sound deadened.
- **ALL STAINLESS STEEL** - 18 ga. #304 series, 18-8 stainless steel.
- **LEG ASSEMBLIES** - 14 gauge s/s channels with heavy-duty s/s gussets, 1-5/8" s/s tube legs and adjustable s/s bullet feet.

Model Number Guide

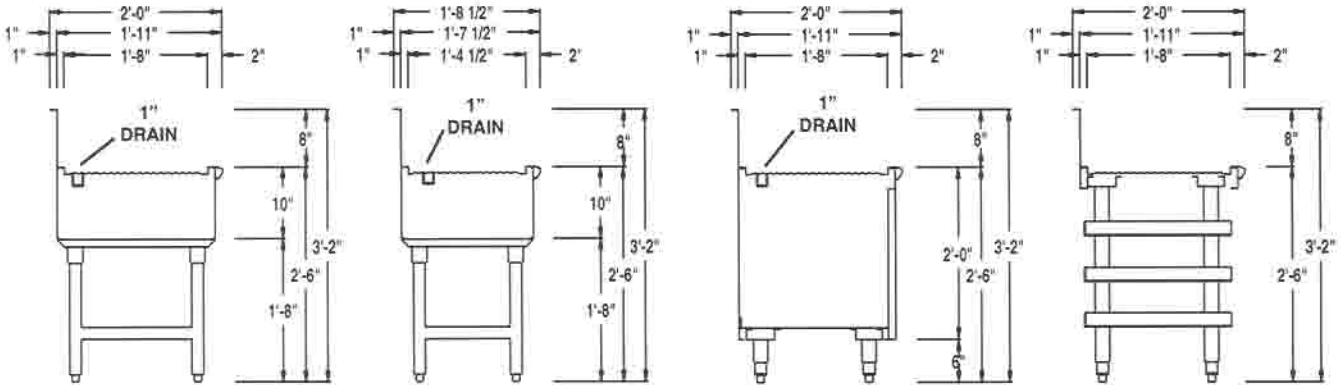
Use this guide to create the model specific to your needs.





TC MODELS

Drainboard Worktops

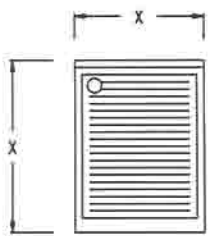


"D" SECTION

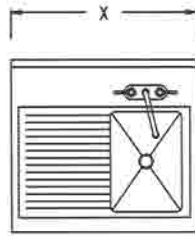
"S" SECTION

SECTION w/CBD

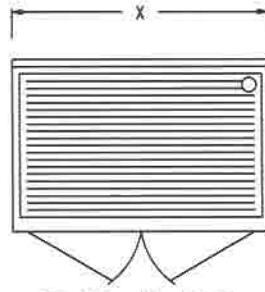
SECTION w/GR20



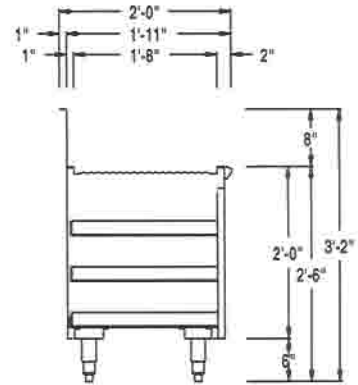
PLAN



PLAN w/SR

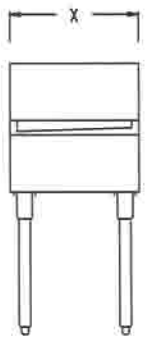


PLAN with CBD



SECTION w/GR20C

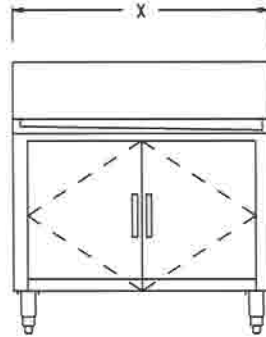
1/2" HOT & COLD CONNECTIONS



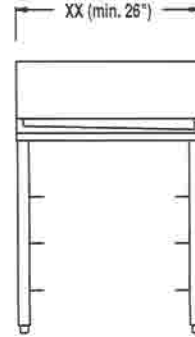
ELEVATION



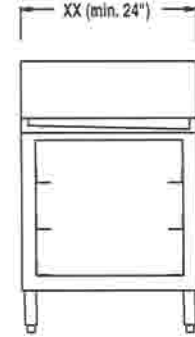
ELEV. w/SR



ELEVATION w/CBD



ELEVATION w/GR20



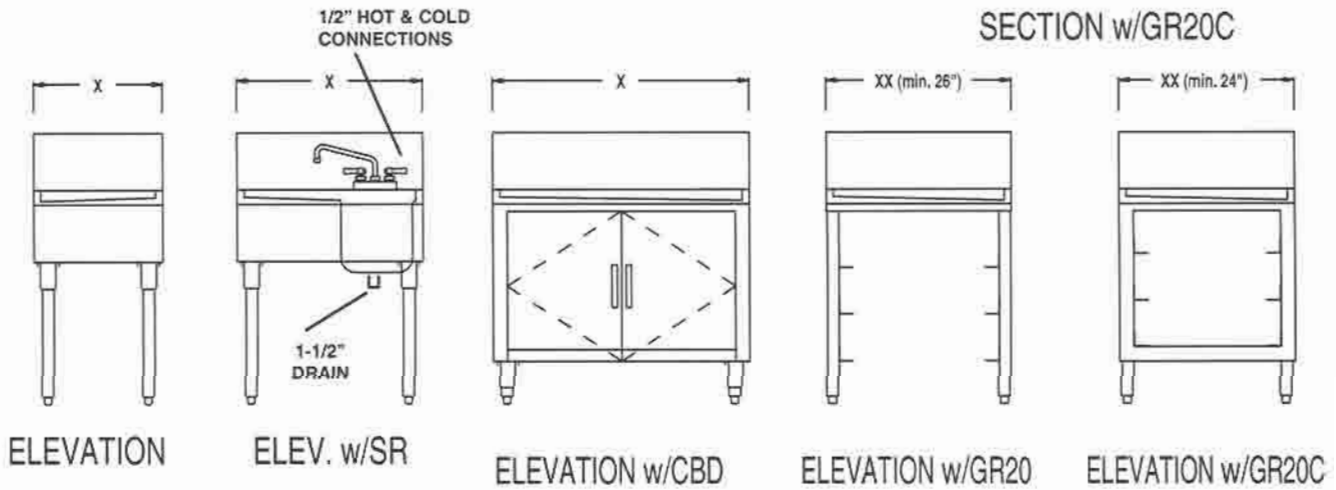
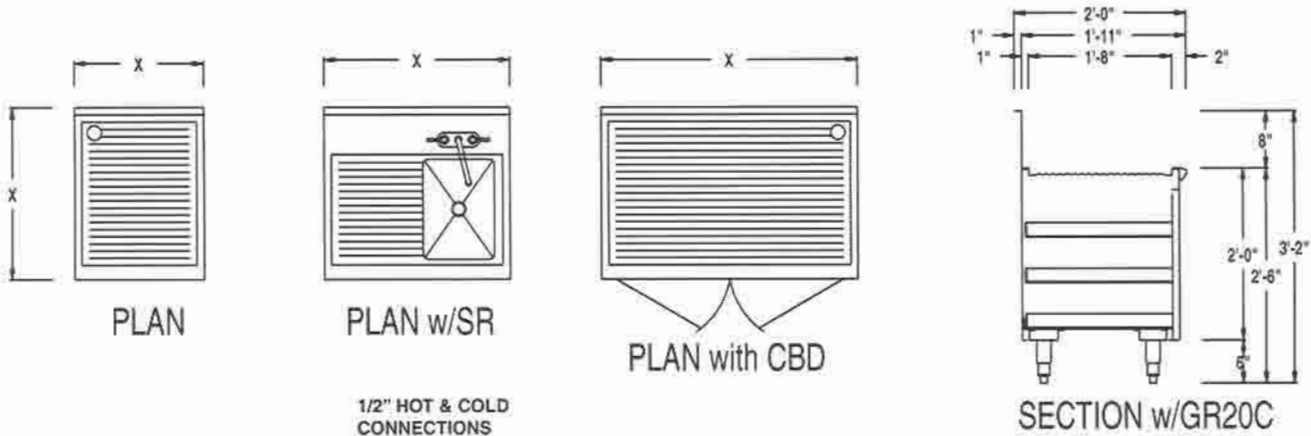
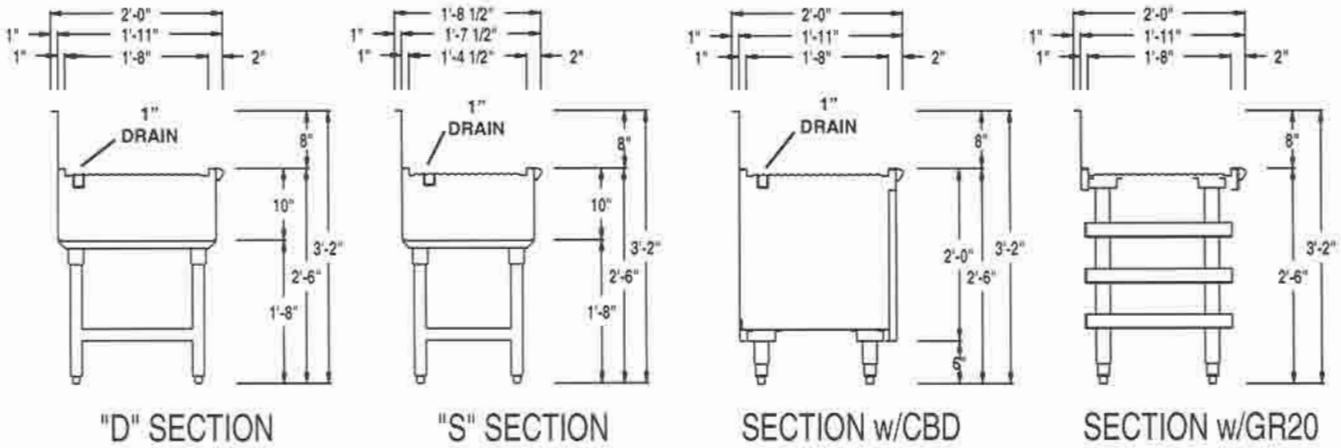
ELEVATION w/GR20C

"S" SERIES				"D" SERIES				SHIP WEIGHT	CUBE
MODEL	LENGTH	DEPTH	SQ. IN. STORAGE	MODEL	LENGTH	DEPTH	SQ. IN. STORAGE		
STC-12	12"	20 1/2"	160	DTC-12	12"	24"	200	45	9
STC-18	18"	20 1/2"	256	DTC-18	18"	24"	320	55	12
STC-24	24"	20 1/2"	352	DTC-24	24"	24"	440	60	15
STC-30	30"	20 1/2"	448	DTC-30	30"	24"	560	65	17
STC-36	36"	20 1/2"	544	DTC-36	36"	24"	680	75	20
STC-42	42"	20 1/2"	640	DTC-42	42"	24"	800	95	23
STC-48	48"	20 1/2"	736	DTC-48	48"	24"	920	120	26
STC-54	54"	20 1/2"	832	DTC-54	54"	24"	1040	135	29
STC-60	60"	20 1/2"	928	DTC-60	60"	24"	1160	150	32



TC MODELS

Drainboard Worktops



"S" SERIES				"D" SERIES				SHIP WEIGHT	CUBE
MODEL	LENGTH	DEPTH	SQ. IN. STORAGE	MODEL	LENGTH	DEPTH	SQ. IN. STORAGE		
STC-12	12"	20 1/2"	160	DTC-12	12"	24"	200	45	9
STC-18	18"	20 1/2"	256	DTC-18	18"	24"	320	55	12
STC-24	24"	20 1/2"	352	DTC-24	24"	24"	440	60	15
STC-30	30"	20 1/2"	448	DTC-30	30"	24"	560	65	17
STC-36	36"	20 1/2"	544	DTC-36	36"	24"	680	75	20
STC-42	42"	20 1/2"	640	DTC-42	42"	24"	800	95	23
STC-48	48"	20 1/2"	736	DTC-48	48"	24"	920	120	26
STC-54	54"	20 1/2"	832	DTC-54	54"	24"	1040	135	29
STC-60	60"	20 1/2"	928	DTC-60	60"	24"	1160	150	32