



SJ & DJ MODELS

Jockey Station Ice Chests

with 8 circuit cold plate and bottle wells

PROJECT _____

ITEM NO. _____

QTY. _____

MODEL NO. _____

"S" SERIES (20 1/2" DEEP)

	MODEL	LENGTH	ICE CAP.	WELLS
<input type="checkbox"/>	SJ6-24P8	24"	81	6
<input type="checkbox"/>	SJ6-30P8	30"	101	6
<input type="checkbox"/>	SJ9-36P8	36"	122	9
<input type="checkbox"/>	SJ9-42P8	42"	144	9
<input type="checkbox"/>	SJ12-48P8	48"	166	12

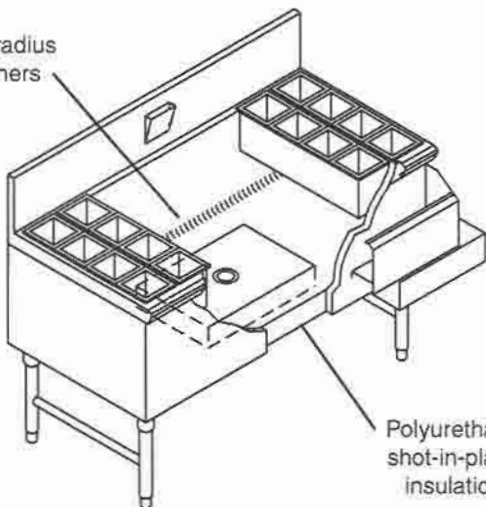
For Jockey Station less Cold Plate, drop P8 from end of model number example: SJ12-48

"D" SERIES (24" DEEP)

	MODEL	LENGTH	ICE CAP.	WELLS
<input type="checkbox"/>	DJ8-24P8	24"	102	8
<input type="checkbox"/>	DJ8-30P8	30"	126	8
<input type="checkbox"/>	DJ12-36P8	36"	153	12
<input type="checkbox"/>	DJ12-42P8	42"	180	12
<input type="checkbox"/>	DJ16-48P8	48"	207	16

For Ice Chest only less bottle wells, drop number after "J" in model number example: SJ-48P8 (see model guide below)

3/8" radius corners



Polyurethane shot-in-place insulation

STANDARD FEATURES

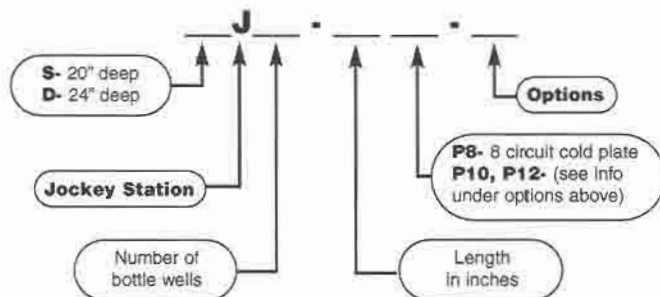
- **ALL WELDED CONSTRUCTION** - fully welded, ground and polished to form one integral unit; no screws, pop-rivets or solder.
- **TOP** - 18 gauge #304 series 18-8 stainless steel.
- **FRONT APRON** - 18 gauge #304 series 18-8 stainless steel.
- **BACK** - 18 gauge #304 series 18-8 stainless steel.
- **BOTTOM** - 18 gauge #304 series 18-8 stainless steel.
- **ENDS** - 18 gauge #304 series 18-8 stainless steel.
- **BACKSPLASH** - 18 gauge #304 series 18-8 stainless steel.
- **ICE CHEST LINER** - 12-1/2" net deep, 18 gauge #304 series 18-8 stainless steel all welded with 3/8" radius corners.
- **8 CIRCUIT FAST-FLO SEALED-IN COLD PLATE**
- **INSULATION** - polyurethane shot-in-place foam (NO CFC's).
- **DECORATIVE POLISHED BULLNOSE**
- **BEVERAGE LINE ACCESS CHASE IN SPLASH**
- **BOTTLE WELL ASSEMBLIES** - stainless steel pan with individual polypropylene bottle wells drops into ice chest

OPTIONS

- CB** -----full cabinet base with removable hinged doors
- 18X** -----18" deep ice chest
- P10** -----10 circuit cold plate (30" & up D series)
- P12** -----12 circuit cold plate (30" & up D series)
- CR-#**-----condiment rail (specify # of pans)
- IP**-----ice partition
- PRF** -----perforated bottom plate (only in non-cold plate units)
- ICC-#** -----stainless steel sliding chest cover (# = specify width of opening in inches between bottle wells)
- BLC24** ----24" liquor line chase in splash
- M**-----customized

Model Number Guide

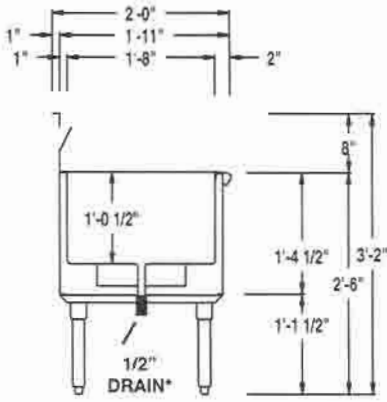
Use this guide to create the model specific to your needs.



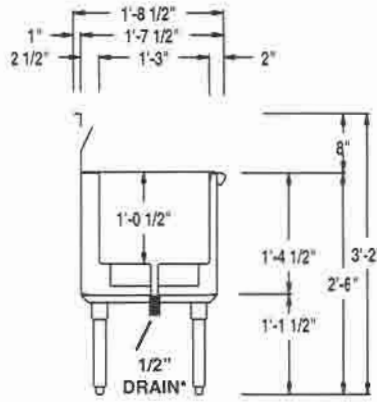


SJ & DJ MODELS

Jockey Station Ice Chests

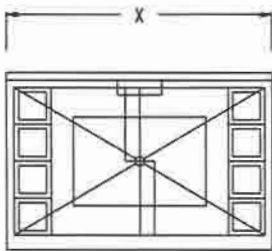


"D" SECTION

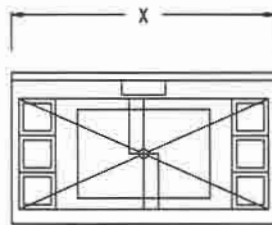


"S" SECTION

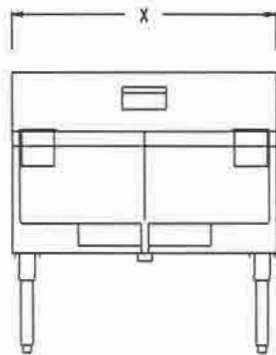
*NOTE: MODELS WITHOUT COLD PLATE USE 1" DRAIN



"D" PLAN



"S" PLAN



ELEVATION

"S" SERIES 20 1/2" DEPTH				"D" SERIES 24" DEPTH				SHIP WEIGHT	CUBE
MODEL	LENGTH	ICE CAP.	WELLS	MODEL	LENGTH	ICE CAP.	WELLS		
SJ6-24P8	24"	81	6	DJ8-24P8	24"	102	8	195	18
SJ6-30P8	30"	101	6	DJ8-30P8	30"	126	8	235	21
SJ9-36P8	36"	122	9	DJ12-36P8	36"	153	12	250	24
SJ9-42P8	42"	144	9	DJ12-42P8	42"	180	12	260	27
SJ12-48P8	48"	166	12	DJ16-48P8	48"	207	16	275	30