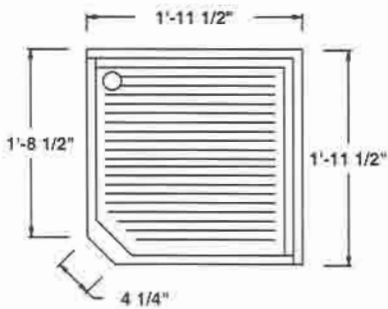


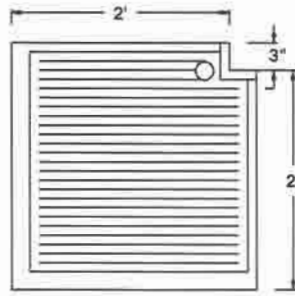


# IC & OC MODELS

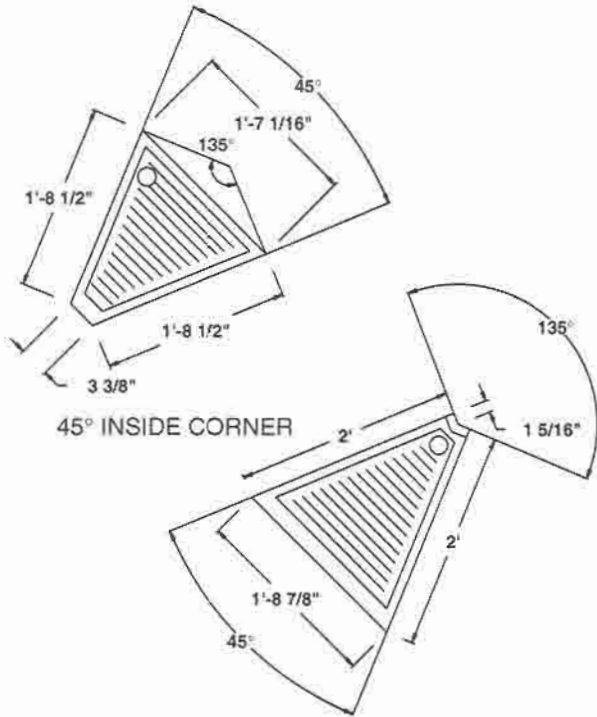
## Corner Fillers



90° INSIDE CORNER



90° OUTSIDE CORNER



45° INSIDE CORNER

45° OUTSIDE CORNER

PROJECT \_\_\_\_\_  
 ITEM NO. \_\_\_\_\_  
 QTY. \_\_\_\_\_

**"D" SERIES INSIDE**

ANGLE	MODEL
<input type="checkbox"/> 90°	DIC-90
<input type="checkbox"/> 45°	DIC-45
<input type="checkbox"/> CUSTOM	DIC-M

24" DEPTH

**"D" SERIES OUTSIDE**

ANGLE	MODEL
<input type="checkbox"/> 90°	DOC-90
<input type="checkbox"/> 45°	DOC-45
<input type="checkbox"/> CUSTOM	DOC-M

24" DEPTH

**"S" SERIES INSIDE**

ANGLE	MODEL
<input type="checkbox"/> 90°	SIC-90
<input type="checkbox"/> 45°	SIC-45
<input type="checkbox"/> CUSTOM	SIC-M

20" DEPTH

**"S" SERIES OUTSIDE**

ANGLE	MODEL
<input type="checkbox"/> 90°	SOC-90
<input type="checkbox"/> 45°	SOC-45
<input type="checkbox"/> CUSTOM	SOC-M

20" DEPTH

### OPTIONS

- SR** -----10 x 14 x 10" deep sink RT w/faucet
- SL** -----10 x 14 x 10" deep sink LT w/faucet
- SC** -----10 x 14 x 10" deep sink CTR w/faucet
- RWC** -----rubber waste chute installed in apron
- REC18** ----NSF approved 18" H trash receptacle
- CAP** -----cut-away apron for trash container
- REC26** ----NSF approved 26" H trash receptacle
- TB** -----towel bar
- PDB** -----perforated dump box for 10x14 sink
- US** -----s/s undershelf (specify location & length)
- PR** -----pre-rinse spray faucet  
(includes installed sleeve in top)
- BN** -----decorative polished bullnose
- M** -----customized

### STANDARD FEATURES

- **ALL WELDED CONSTRUCTION** - fully welded, ground and polished to form one integral unit; no screws, pop-rivets or solder.
- **TOP** - 18 gauge #304 series 18-8 stainless steel.
- **FRONT APRON** - 18 gauge #304 series 18-8 stainless steel.
- **BACK** - 18 gauge #304 series 18-8 stainless steel.
- **BOTTOM** - 18 gauge #304 series 18-8 stainless steel.
- **ENDS** - 18 gauge #304 series 18-8 stainless steel.
- **BACKSPLASH** - 18 gauge #304 series 18-8 stainless steel.

### Model Number Guide

Use this guide to create the model specific to your needs.

