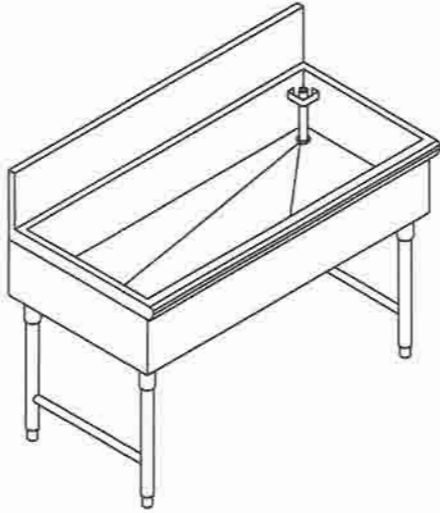




**IB MODELS**

**Bottled Beer Ice Bath**



PROJECT \_\_\_\_\_  
 ITEM NO. \_\_\_\_\_  
 QTY. \_\_\_\_\_

"S" SERIES - 20 1/2" DEPTH

"D" SERIES - 24" DEPTH

	MODEL	LENGTH	CASES	MODEL	LENGTH	CASES
<input type="checkbox"/>	SIB-24	26"	2.34	DIB-24	26"	2.9
<input type="checkbox"/>	SIB-36	36"	3.62	DIB-36	36"	4.9
<input type="checkbox"/>	SIB-48	48"	4.9	DIB-48	48"	6.1
<input type="checkbox"/>	SIB-60	60"	6.2	DIB-60	60"	7.73

**STANDARD FEATURES**

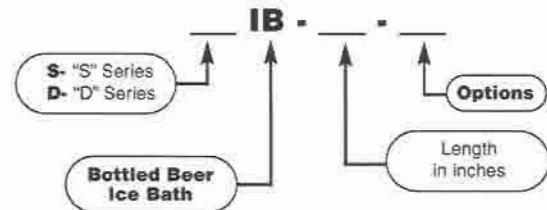
- **ALL WELDED CONSTRUCTION** - fully welded, ground and polished to form one integral unit; no screws, pop-rivets or solder.
- **TOP** - 18 gauge #304 series 18-8 stainless steel.
- **FRONT APRON** - 18 gauge #304 series 18-8 stainless steel.
- **BACK** - 18 gauge #304 series 18-8 stainless steel.
- **BOTTOM** - 18 gauge #304 series 18-8 stainless steel.
- **ENDS** - 18 gauge #304 series 18-8 stainless steel.
- **BACKSPLASH** - 18 gauge #304 series 18-8 stainless steel.
- **ICE CHEST LINER** - 8" net deep, 18 gauge #304 series 18-8 stainless steel all welded with 3/8" radius corners and corner located overflow stand pipe.
- **INSULATION** - polyurethane shot-in-place foam (NO CFC's).

**OPTIONS**

- CB** -----full cabinet base with removable hinged doors
- IP** -----ice partition
- PRF** -----perforated bottom plate
- M** -----customized

**Model Number Guide**

Use this guide to create the model specific to your needs.



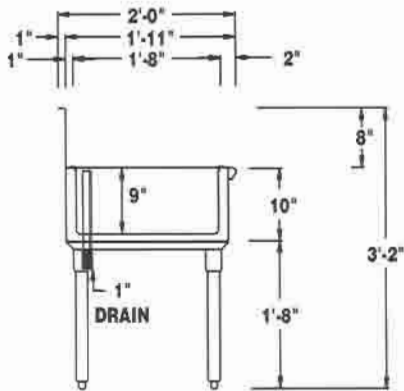


**IB MODELS**

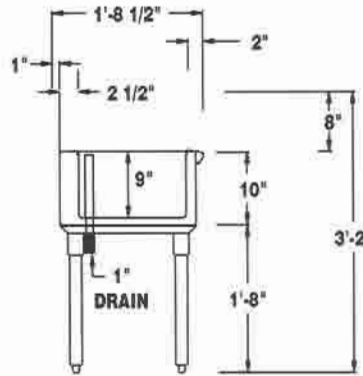
*Bottled Beer Ice Bath*



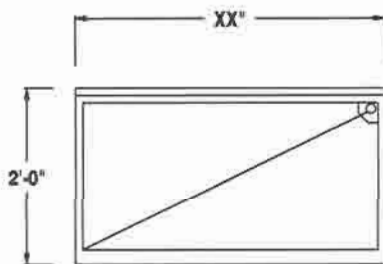
**ELEVATION**



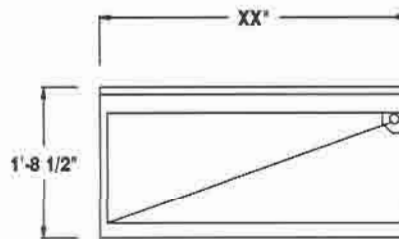
**"D" SECTION**



**"S" SECTION**



**"D" PLAN**



**"S" PLAN**

"S" SERIES 20 1/2" DEPTH			"D" SERIES 24" DEPTH			SHIP WEIGHT	CUBE
MODEL NUMBER	O.A. LENGTH	CASE CAP.	MODEL NUMBER	O.A. LENGTH	CASE CAP.		
SIB-24	24"	2.34	DIB-24	24"	2.9	90	18
SIB-36	36"	3.62	DIB-36	36"	4.9	115	20
SIB-48	48"	4.9	DIB-48	48"	6.1	150	25
SIB-60	60"	6.2	DIB-60	60"	7.73	185	26