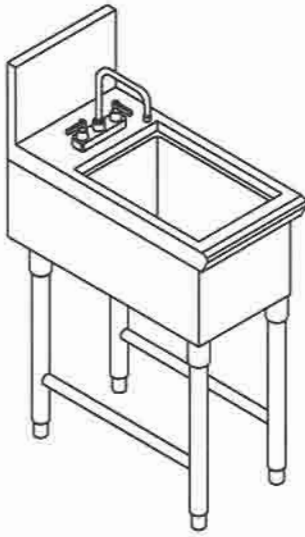


**1 Bowl Sinks**

PROJECT _____
 ITEM NO. _____
 QTY. _____

"S" SERIES (20 1/2" DEEP)

MODEL	LENGTH	DEPTH
<input type="checkbox"/> S1C	13"	20"

"D" SERIES (24" DEEP)

MODEL	LENGTH	DEPTH
<input type="checkbox"/> D1C	13"	24"

STANDARD FEATURES

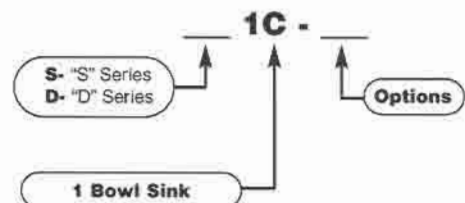
- **ALL WELDED CONSTRUCTION** - fully welded, ground and polished to form one integral unit; no screws, pop-rivets or solder.
- **TOP** - 18 gauge #304 series 18-8 stainless steel.
- **BACK** - 18 gauge #304 series 18-8 stainless steel.
- **BOTTOM** - 18 gauge #304 series 18-8 stainless steel.
- **ENDS** - 18 gauge #304 series 18-8 stainless steel.
- **BACKSPLASH** - 18 gauge #304 series 18-8 stainless steel.
- **LEG ASSEMBLIES** - 14 gauge s/s channels with heavy-duty s/s gussets, 1-5/8" s/s tube legs and adjustable s/s bullet feet.
- **FAUCET** - Chicago H/C faucet (specify other type if needed)

OPTIONS

- SD** -----pump-action soap dispenser
- CB** -----full cabinet base with removable hinged doors
- RNG**-----towel ring
- PDB** -----perforated dump box for 10x14 sink
- US** -----s/s undershelf (*specify location & length*)
- PR** -----pre-rinse spray faucet (*includes installed sleeve in top*)
- BN** -----decorative polished bullnose
- M** -----customized

Model Number Guide

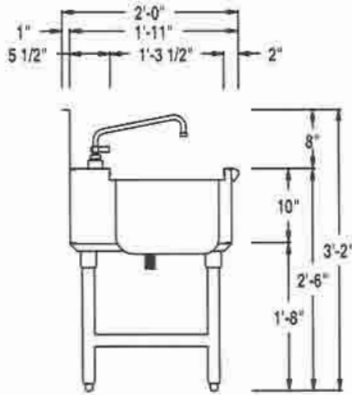
Use this guide to create the model specific to your needs.



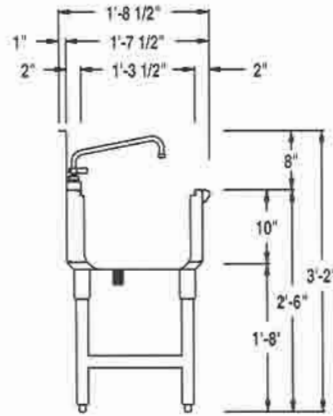


1C MODELS

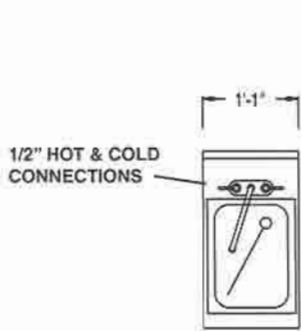
1 Bowl Sinks



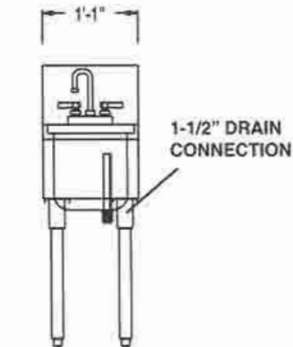
"D" SECTION



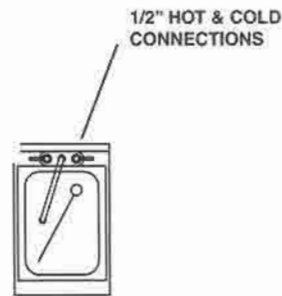
"S" SECTION



"D" PLAN



ELEVATION



"S" PLAN

MODEL	OVERALL LENGTH	OVERALL DEPTH	BOWL SIZE	SHIP WT. LBS	CUBIC FT.
S1C	13"	20 1/2"	10X14X10D	45	4.5
D1C	13"	24"	10X14X10D	45	4.5